

Arm Ledge Table System





Arm Ledge Table System

Description: Our King Air Arm Ledge Table System adds functionality to your cabin and achieve that sought after “new airplane” look. This upgrade gives your cabin the look and feel of the newest King Airs. The sidewall with integrated outboard armrest rail modernizes the aircraft and allows more useable room on the seat surface.

Models: Beechcraft King Air 90, 200

FAA / STC: SA1638WI



Features: Kit includes 2 tables, side panels, arm ledges, STC, installation instructions and parts, etc. No upholstery is included. Tables delivered in green condition, unless optional laminating is chosen.

Options: Tables can be constructed in Teak, Maple, Mahogany, Bass, or Maple. AvFab can then finish the tables to be ready to installed.

Installation: While there are variances in the aircraft, installation time will normally run between 70 and 90 hours depending on the experience level of the technician.

Lead Time: Arm Ledge Table Systems are normally in stock and available for immediate world-wide shipment, however, fluctuations in demand may cause as much as a 30 day delay for delivery.



Arm Ledge Table System Installation Kit Components





Installed Arm Ledge Table

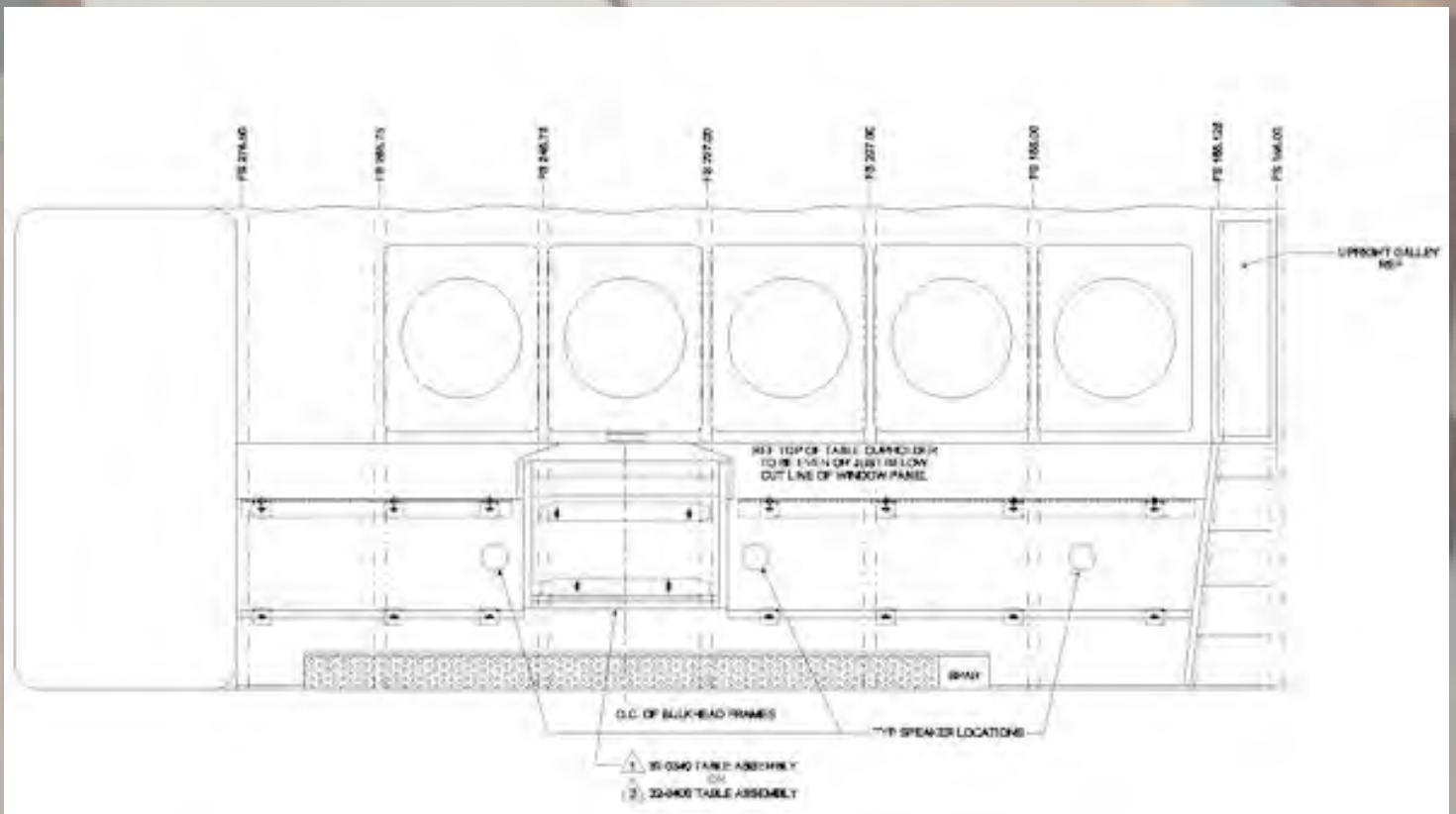
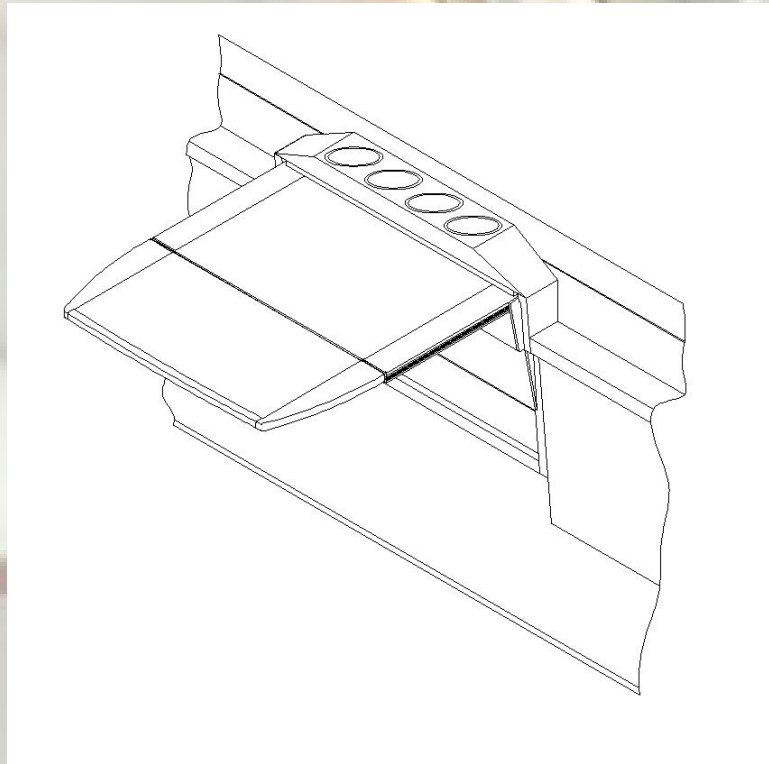




Installed Arm Ledge Table



Aft Jump Seat Line Drawings

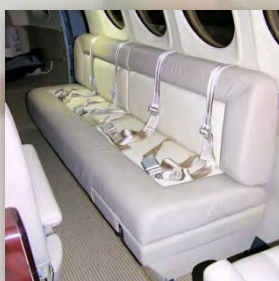




Arm Ledge Table Installation Images



Learn more about Avfab's comprehensive line
of cabin class interior products & services at:
www.AvFab.com



Aviation Fabricators
805 North Forth Street
Clinton, MO 64735
(660) 885-8317
www.avfab.com